

Rails 50 curved 90°

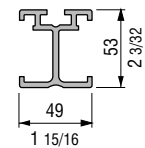
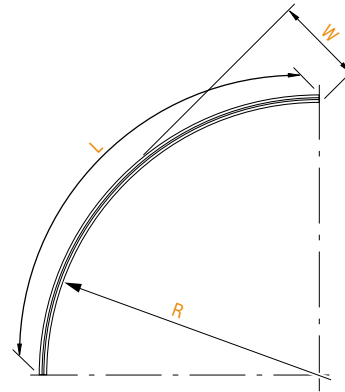
- FF50R135: radius 1350mm – 53 5/32"
- FF50R150: radius 1500mm – 59 1/16"
- FF50R165: radius 1650mm – 64 31/32"
- FF50R180: radius 1800mm – 70 7/8"
- FF50R195: radius 1950mm – 76 25/32"
- FF50R210: radius 2100mm – 82 11/16"
- FF50R225: radius 2250mm – 88 19/32"
- FF50R240: radius 2400mm – 94 1/2"
- FF50R255: radius 2550mm – 100 13/32"
- FF50R270: radius 2700mm – 106 5/16"
- FF50R285: radius 2850mm – 112 3/16"
- FF50R300: radius 3000mm – 118 1/8"



material: aluminium



finish: silver



Special curved rails available on request

	FF50R135	FF50R150	FF50R165	FF50R180	FF50R195	FF50R210
--	----------	----------	----------	----------	----------	----------

R radius:	mm	1350	1500	1650	1800	1950	2100
	inch	53 5/32	59 1/16	64 31/32	70 7/8	76 25/32	82 11/16
L length:	mm	2121	2357	2542	2828	3063	3299
	inch	6 - 11 1/2	7 - 8 25/32	8 - 4 3/32	9 - 3 11/32	10 - 0 19/32	10 - 9 7/8
W width:	mm	395	439	483	527	571	615
	inch	15 5/8	17 1/4	19	20 3/4	22 3/8	24 1/4
weight:	kg	3,82	4,25	4,67	5,10	5,52	5,94
	lb	8,4	9,36	10,3	11,23	12,16	13,105
volume:	cu m	0,04	0,05	0,06	0,071	0,083	0,097
	cu ft	1,41	1,77	2,12	2,5	2,93	3,42
weight:	kg	3,82	4,25	4,67	5,10	5,52	5,94
	lb	8,4	9,36	10,3	11,23	12,16	13,105

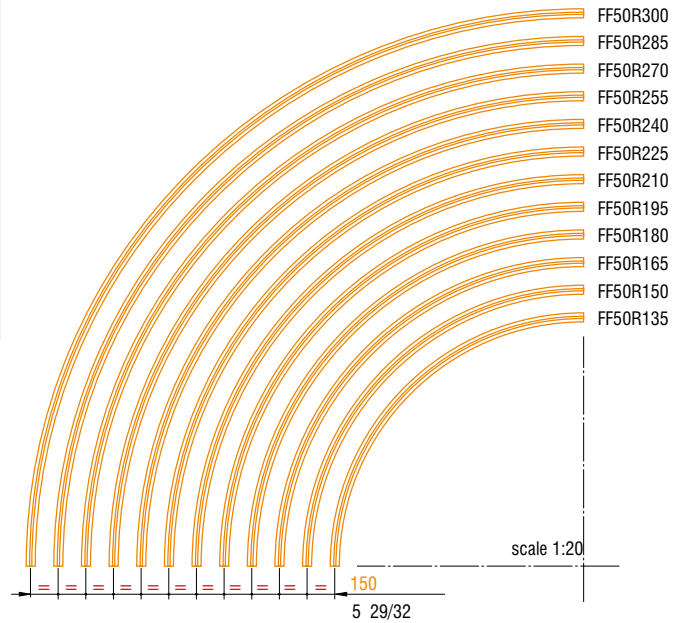
	FF50R225	FF50R240	FF50R255	FF50R270	FF50R285	FF50R300
--	----------	----------	----------	----------	----------	----------

R radius:	mm	2250	2400	2550	2700	2850	3000
	inch	88 19/32	94 1/2	100 13/32	106 5/16	112 3/16	118 1/8
L length:	mm	3535	3770	4006	4242	4477	4713
	inch	11 - 7 3/16	12 - 4 7/16	13 - 1 23/32	13 - 11	14 - 8 1/4	15 - 5 9/16
W width:	mm	659	702	746	790	834	878
	inch	26	27 5/8	29 3/8	31 1/8	32 3/4	34 2/4
weight:	kg	6,37	6,79	7,22	7,64	8,07	8,49
	lb	14,041	14,97	15,91	16,84	17,78	18,72
volume:	cu m	0,111	0,126	0,146	0,16	0,18	0,197
	cu ft	3,91	4,496	5,156	5,65	6,356	6,956
weight:	kg	6,37	6,79	7,22	7,64	8,07	8,49
	lb	14,041	14,97	15,91	16,84	17,78	18,72

Metric measurements should be taken as reference. Imperial values have been calculated from metric and rounded to nearest 1/32 inch.
IMPORTANT: installation must be carried out by qualified personnel and in accordance with the safety regulations of the country/region of installation.

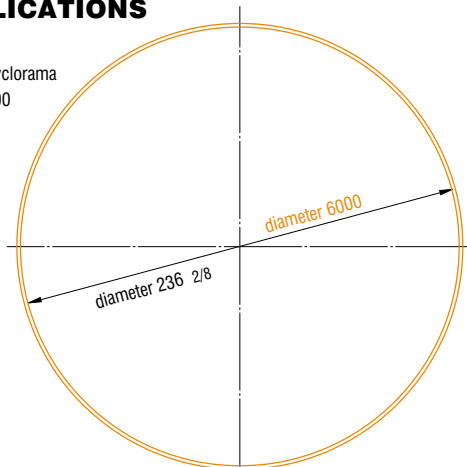
Rails 50 curved 90°

Curved rails are in several standard radius available (see page 14)



APPLICATIONS

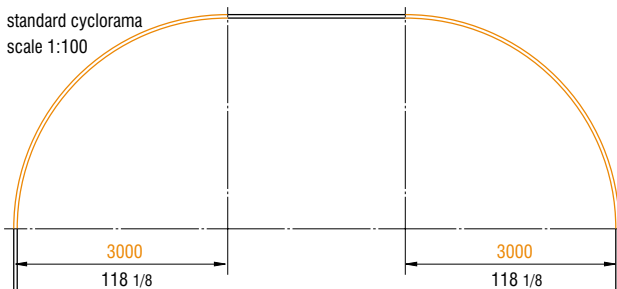
circular cyclorama
scale 1:100



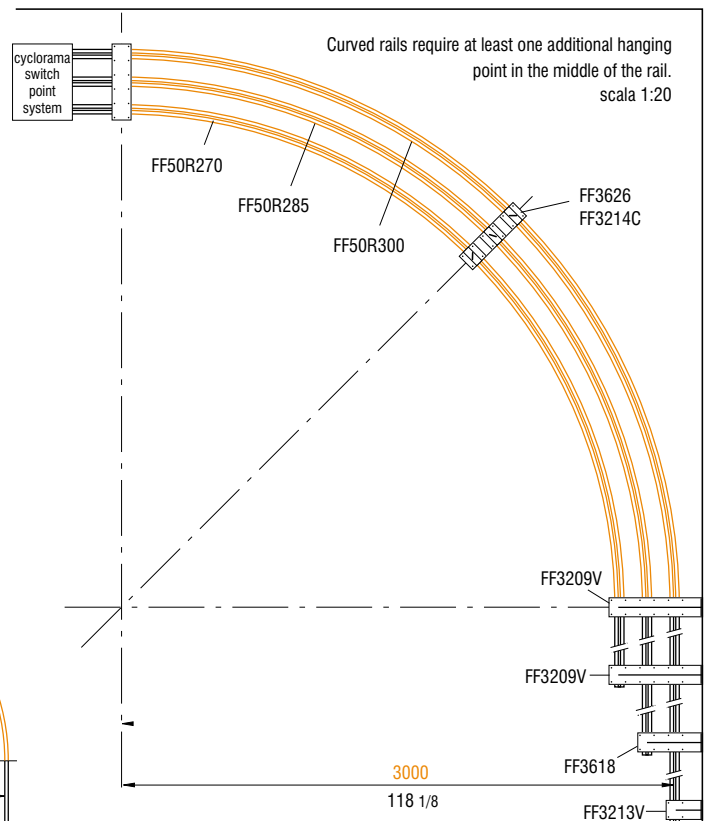
semicircular cyclorama
scale 1:100



standard cyclorama
scale 1:100



EXAMPLE WITH 3 CYCLORAMA RAILS



Metric measurements should be taken as reference. Imperial values have been calculated from metric and rounded to nearest 1/32 inch. **IMPORTANT:** installation must be carried out by qualified personnel and in accordance with the safety regulations of the country/region of installation.