

FF3602



Clamp for pipe to rail connection

Clamp to connect pipe to rail parallel or rectangular.
For easy installation of IFF rail system to an existing studio pipe grid.

material: steel

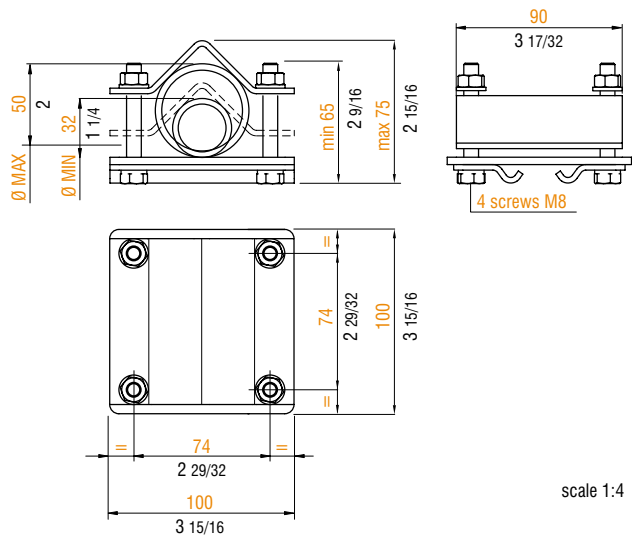
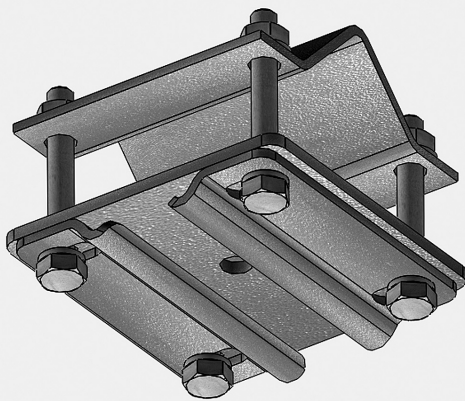
finish: white zinc plated

weight: 0,878 kg
1,935 lb

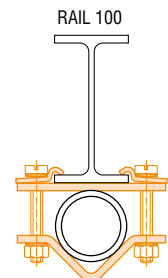
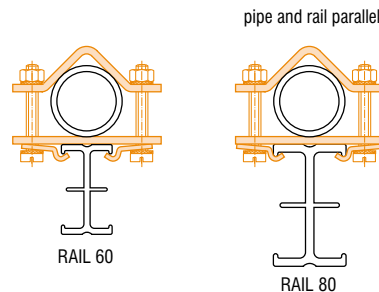
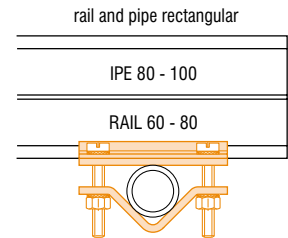
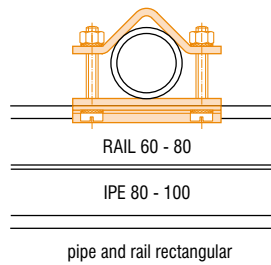
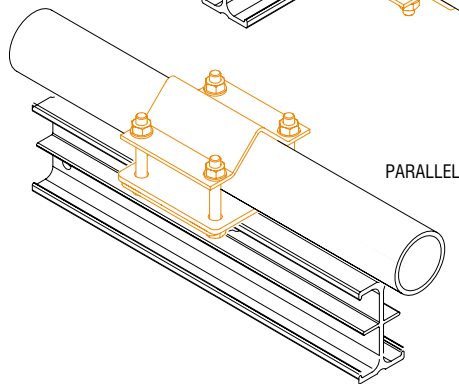
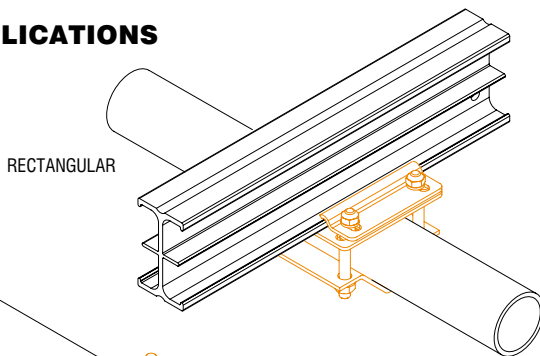
volume: 0,0004 cu m
0,0141 cu ft

max. load: 200 kg
441 lb

weight: 0,878 kg
1,935 lb



APPLICATIONS



Metric measurements should be taken as reference. Imperial values have been calculated from metric and rounded to nearest 1/32 inch.
IMPORTANT: installation must be carried out by qualified personnel and in accordance with the safety regulations of the country/region of installation.