

FF3724C



Towing carriage with brake

material main body: steel
part: blue plastic

finish: grey powder coating with orange peel finish RAL 7016

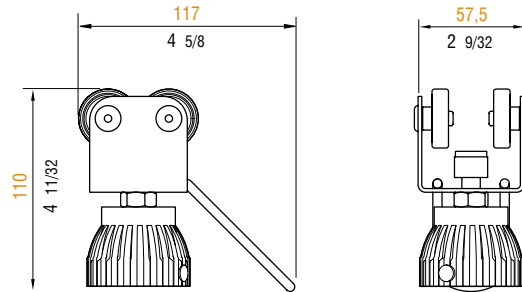
Steel carriages with ball bearings for pulling cyclorama into position; should be mounted at both ends of the cyclorama.

weight: 0,314 kg
0,692 lb

volume: 0,0015 cu m
0,0530 cu ft

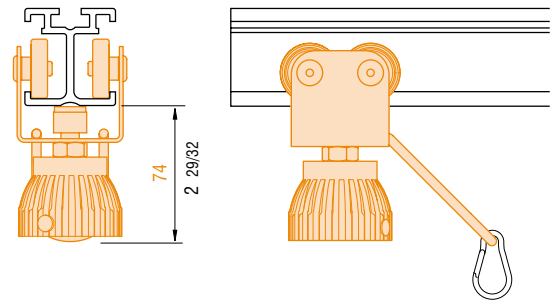
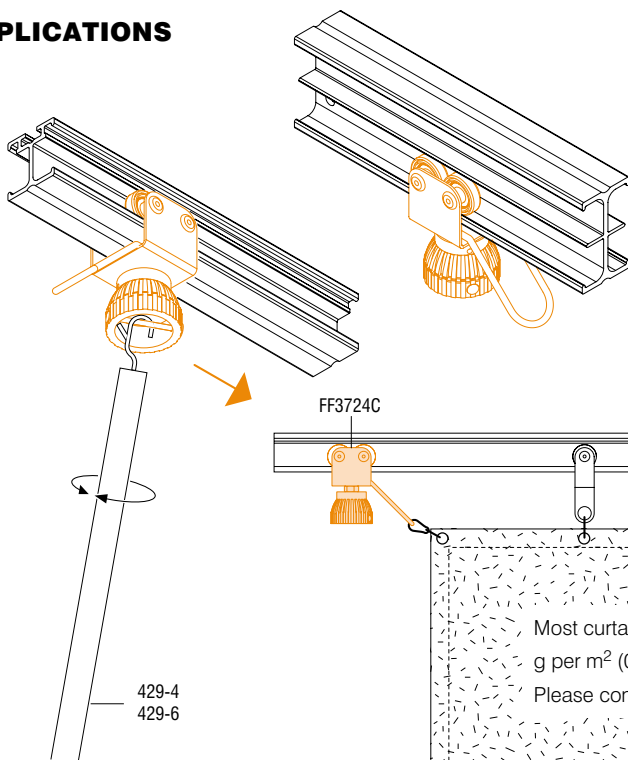
max. load: NA

weight: 0,350 kg
0,771 lb



scale 1:4

APPLICATIONS



Hardware to attach curtains onto carriages not included.
Contact your curtain supplier for details.

Most curtains have an average weight from 150 g to 500 g per m² (0,03 lbs to 0,10 lbs per square feet).
Please contact your curtain supplier for detailed

scale 1:10

Metric measurements should be taken as reference. Imperial values have been calculated from metric and rounded to nearest 1/32 inch.
IMPORTANT: installation must be carried out by qualified personnel and in accordance with the safety regulations of the country/region of installation.