




**FF3260**

Female – male adapter 5/8" spigot to 1 1/8 female


The adapter converts a 5/8" (16mm) female attachment into a 1 1/8" female attachment.

 material: main body: aluminium  
part: steel

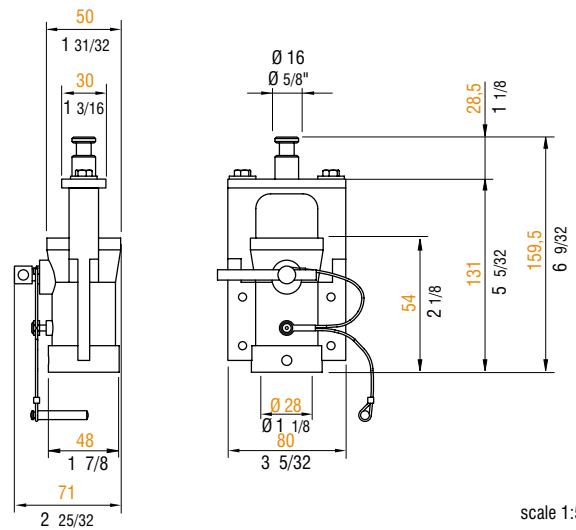
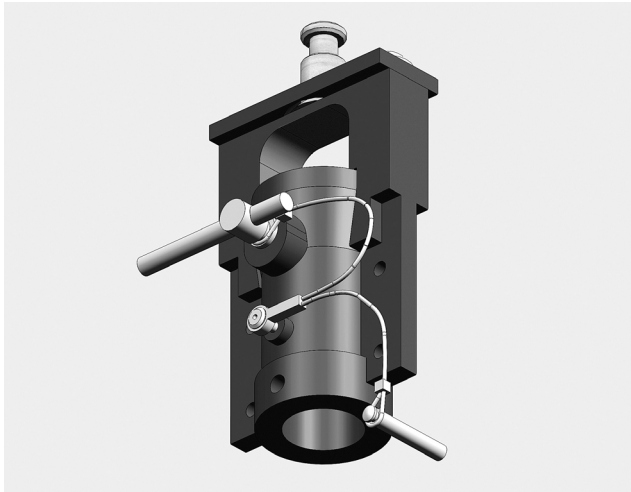
 finish: grey powder coating with orange peel finish RAL 7016

 weight: 0,562 kg  
1,239 lb

 volume: 0,0020 cu m  
0,0706 cu ft

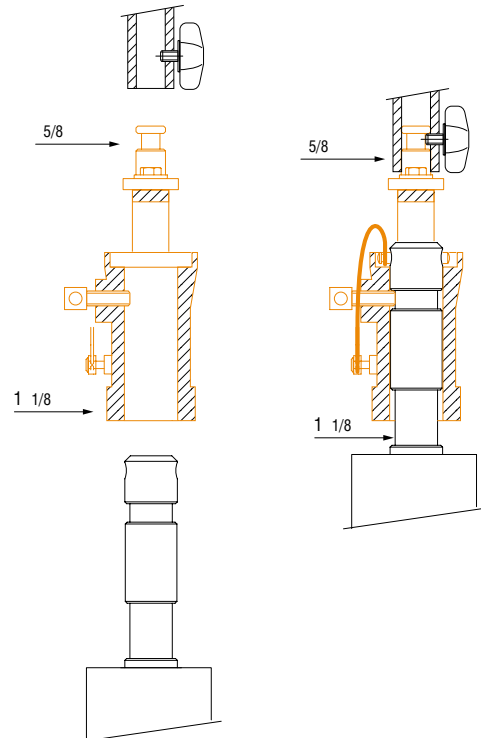
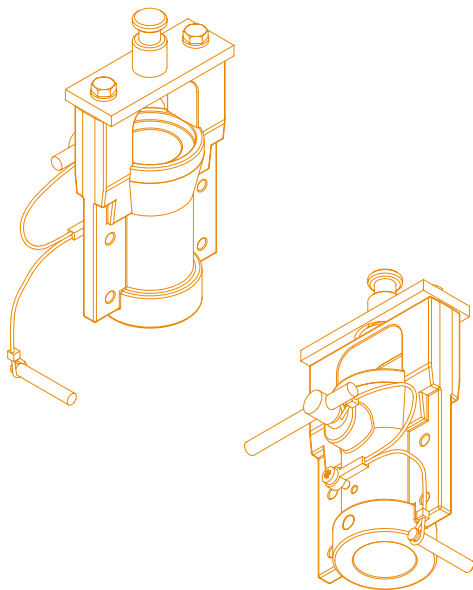
 max. load: 80 kg  
176 lb


 weight: 0,602 kg  
1,327 lb



scale 1:5

**APPLICATIONS**



Metric measurements should be taken as reference. Imperial values have been calculated from metric and rounded to nearest 1/32 inch.  IMPORTANT: installation must be carried out by qualified personnel and in accordance with the safety regulations of the country/region of installation.