

FF3722C



Towing carriage

Steel carriages with ball bearings to be mounted every 25 carriages art. FF3720C or FF3723C. This carriage helps pulling the curtain.



material: main body: steel
part: blue plastic



finish: grey powder coating with orange peel finish RAL 7016



weight: 0,322 kg
0,710 lb



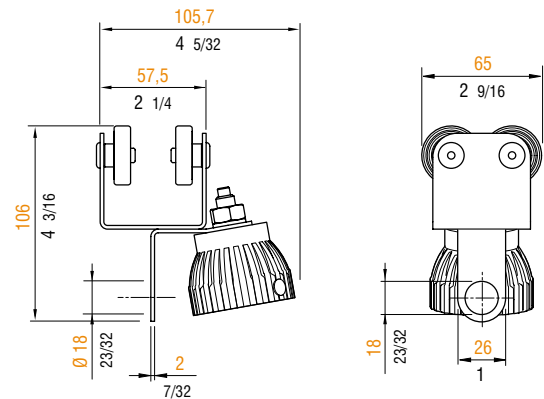
volume: 0,0015 cu m
0,0530 cu ft



max. load: 25 kg
55 lb

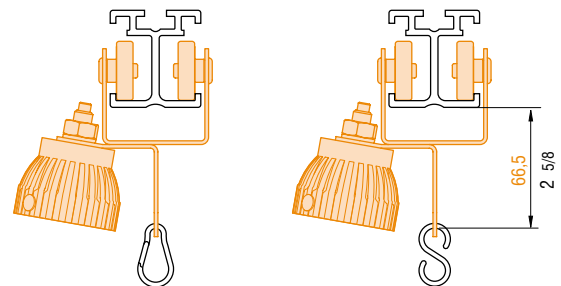
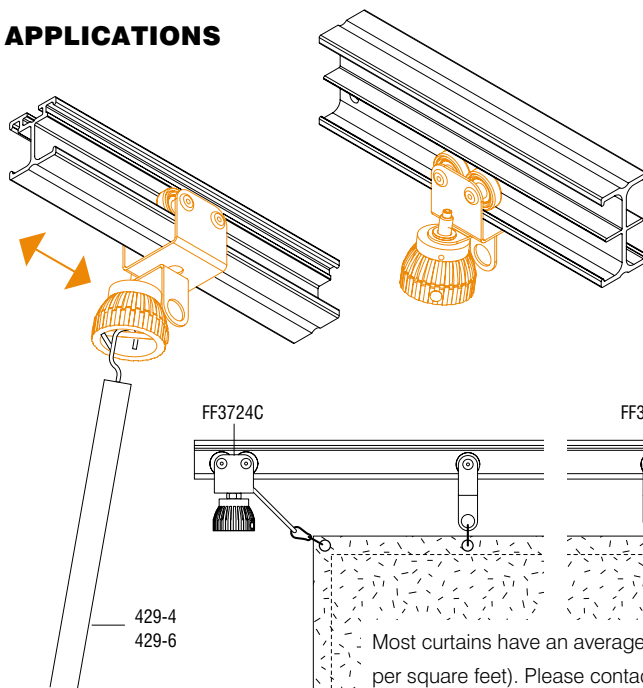


weight: 0,360 kg
0,794 lb

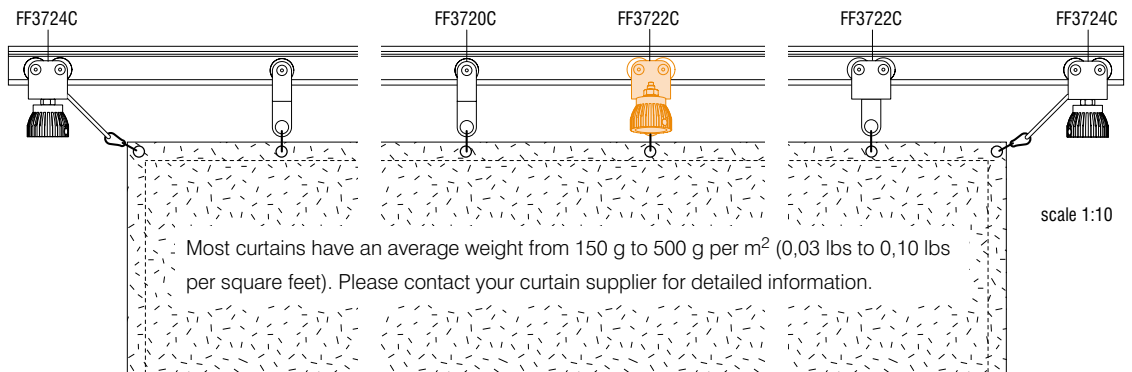


scale 1:4

APPLICATIONS



Hardware to attach curtains onto carriages not included. Contact your curtain supplier for details.



Most curtains have an average weight from 150 g to 500 g per m² (0,03 lbs to 0,10 lbs per square feet). Please contact your curtain supplier for detailed information.