

**FF3227K**

60

**Curtain carriage for heavy curtains**

Kit of 5 steel carriages with ball bearings for heavy curtains.

material: stainless steel

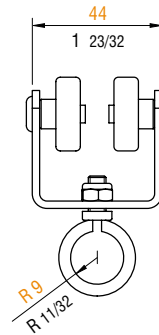
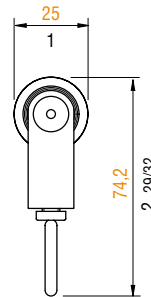
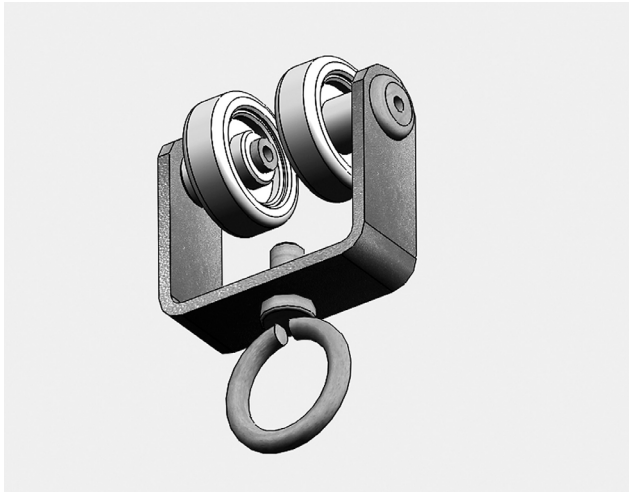
finish:

weight: 0,170 kg  
0,375 lb

volume: 0,0015 cu m  
0,0530 cu ft

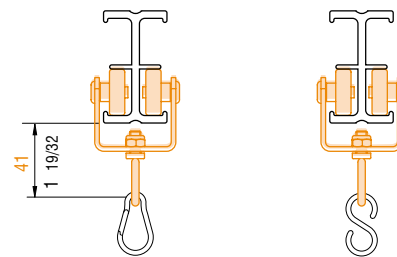
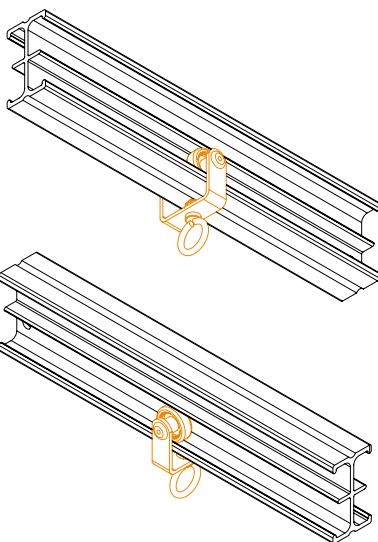
max. load: 10 kg  
22 lb

weight: 0,174 kg  
0,384 lb



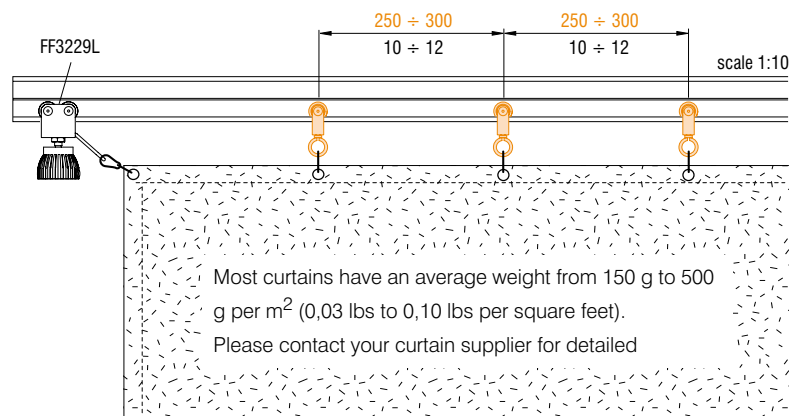
scale 1:2,5

**APPLICATIONS**



scale 1:4

Hardware to attach curtains onto carriages not included.  
Contact your curtain supplier for details.



Metric measurements should be taken as reference. Imperial values have been calculated from metric and rounded to nearest 1/32 inch.   
**IMPORTANT:** installation must be carried out by qualified personnel and in accordance with the safety regulations of the country/region of installation.