

## FF3720C



### Curtain carriage

Steel carriages with ball bearings for curtains up to 9m height.  
Recommended distance between carriages for ideal curtain support: 25-30 cm.



material: steel



finish: grey powder coating with orange peel finish RAL 7016



weight: 0,128 kg  
0,282 lb



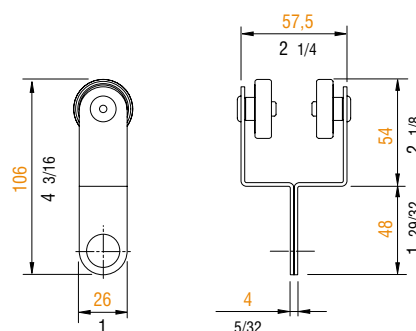
volume: 0,0005 cu m  
0,017 cu ft



max. load: 20 kg  
44 lb

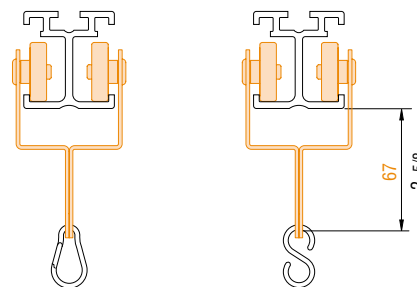
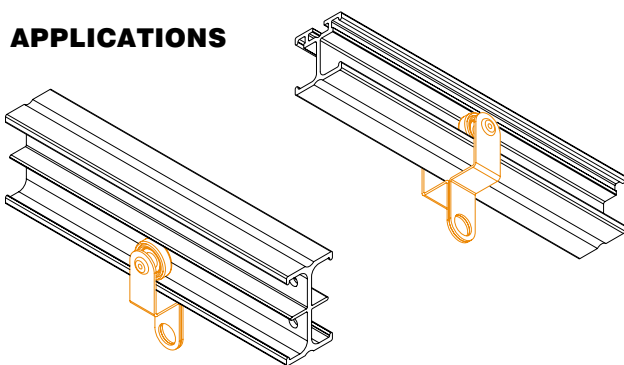


weight: 0,168 kg  
0,370 lb

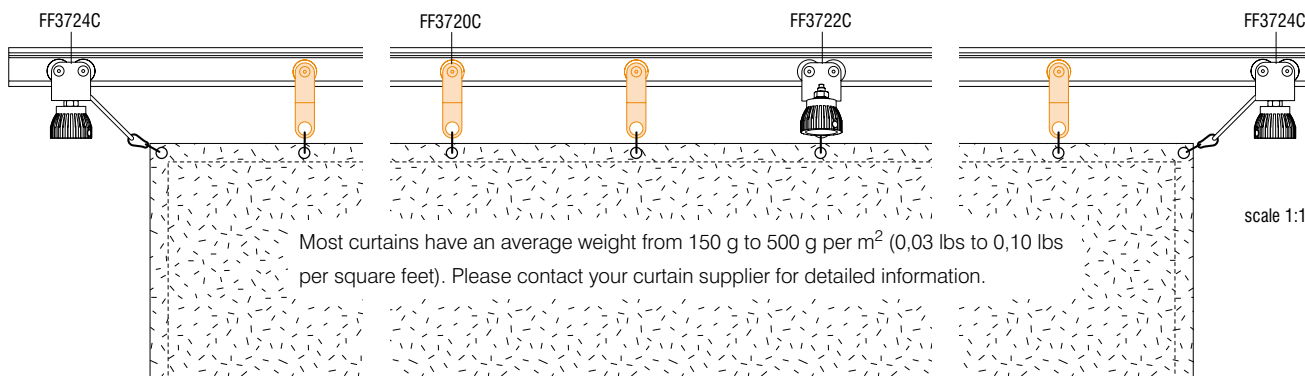


scale 1:4

### APPLICATIONS



Hardware to attach curtains onto carriages not included.  
Contact your curtain supplier for details.



scale 1:10

Most curtains have an average weight from 150 g to 500 g per m<sup>2</sup> (0,03 lbs to 0,10 lbs per square feet). Please contact your curtain supplier for detailed information.