

FF3229

⌈ 60

Carriage with brake and 5/8" spigot

Spring-loaded brake pad holds carriage in position. To release the brake pull down on wire with operating pole.



material: steel



finish main body: grey powder coating with "orange peel" finish
part: zinc plated RAL 7016



weight: 0,282 kg
0,622 lb



volume: 0,0070 cu m
0,2473 cu ft

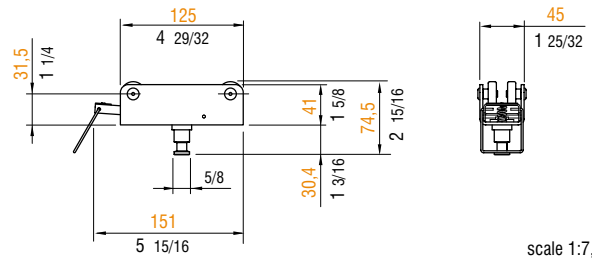


max. load: 60 kg
132 lb

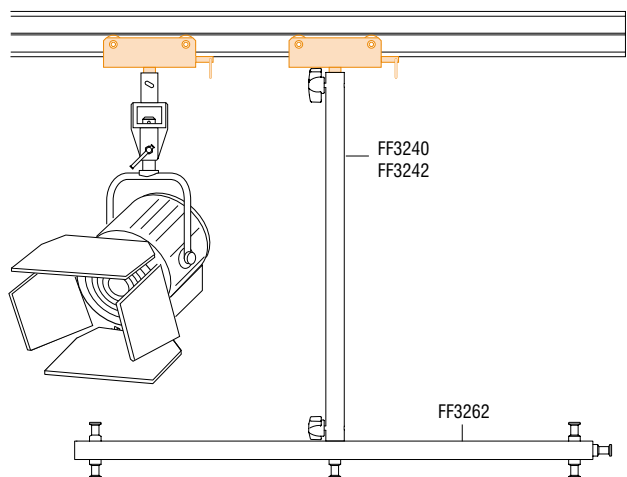
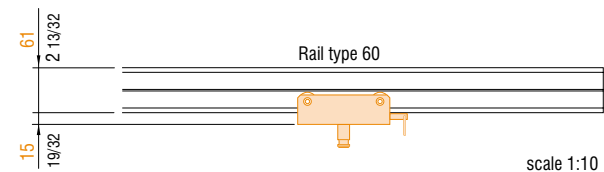
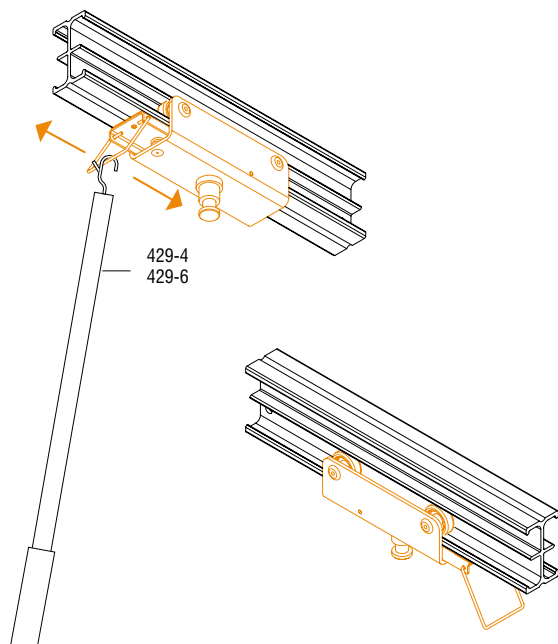


weight: 0,362 kg
0,798 lb

5



APPLICATIONS



Metric measurements should be taken as reference. Imperial values have been calculated from metric and rounded to nearest 1/32 inch. **IMPORTANT:** installation must be carried out by qualified personnel and in accordance with the safety regulations of the country/region of installation.