





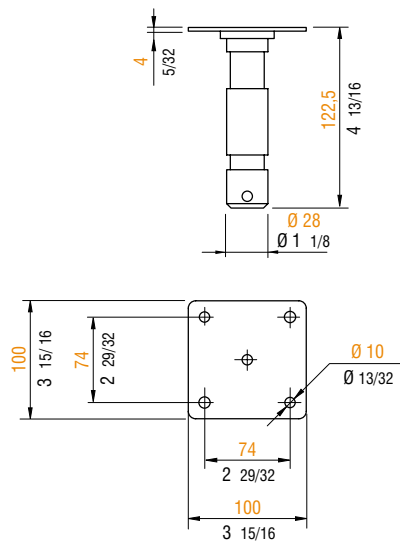


FF3867    

Spigot mounting point 1 1/8"

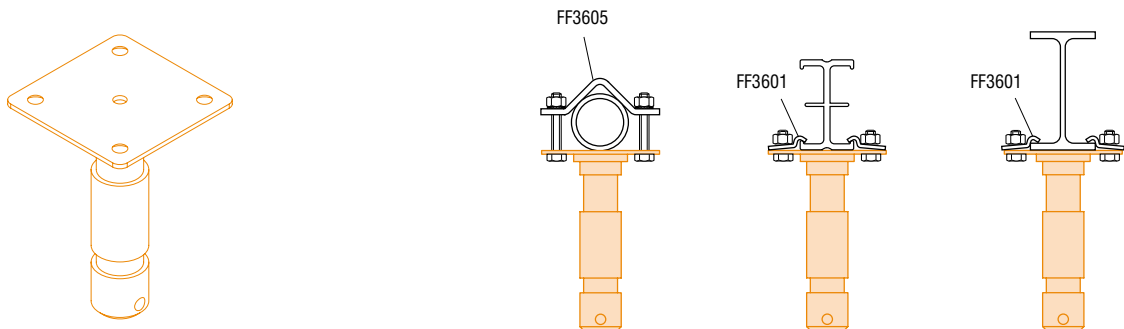
Use clamps FF3601 for mounting onto IFF rails or FF3605 for pipes.


-  material: main body: steel
-  finish: grey powder coating with orange peel finish RAL 7016
-  weight: 0,62 kg / 1,366 lb
-  volume: 0,0020 cu m / 0,0706 cu ft
-  max. load: 80 kg / 176 lb
-  weight: 0,66 kg / 1,455 lb



scale 1:5

APPLICATIONS



Metric measurements should be taken as reference. Imperial values have been calculated from metric and rounded to nearest 1/32 inch. 
IMPORTANT: installation must be carried out by qualified personnel and in accordance with the safety regulations of the country/region of installation.