

# BAMBINO 650W/500W

Bambino 650W/500W

## TUNGSTEN FRESNEL

### Technical features

#### Operational Data

Power consumption	650 W
Supply voltage	120 - 240 V
Tilt adjustment	Pivot located at centre of gravity for excellent balance and positive locking
Tilt recommended angle of use	-90° / 0° / 90°
Focus Adjustment	Pole operated side mounted gear box and focus adjustment mechanism positioned on side of the unit easily repositioned to manual use (PO)  Manual rear focus knob and direct adjustment drive focus mechanism (MO)
Accessory Fitting	Steel accessory support brackets with manual pull and twist spring loaded top bracket, designed for very quick one hand opening/closing and easy accessory fitting and removal
Barndoor diameter	169 mm
Colour frame/ scrim diameter	170 mm
Filter cut size diameter	160 mm
Lamp holder	GY9.5
Safety mesh	Stainless steel safety mesh 25x25 mm
IP rating	IP 20
Max operating ambient temperature	45°

#### Optical Data

Lens	High-efficiency convection cooling, super silent fan, 3 presetting fan speed
Reflector	Spherical specular reflector in bimetallic aluminium (99.99/99.95 %) with special anodised coating for high-efficiency finish
Beam Angle	10.2° to 50.3°

#### Mechanical Data

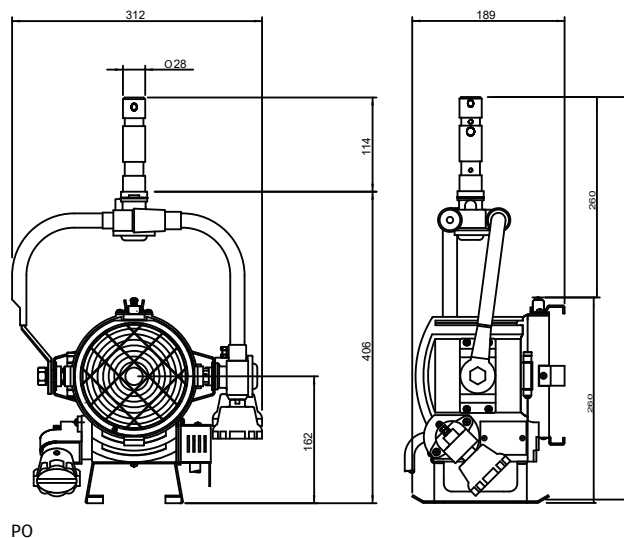
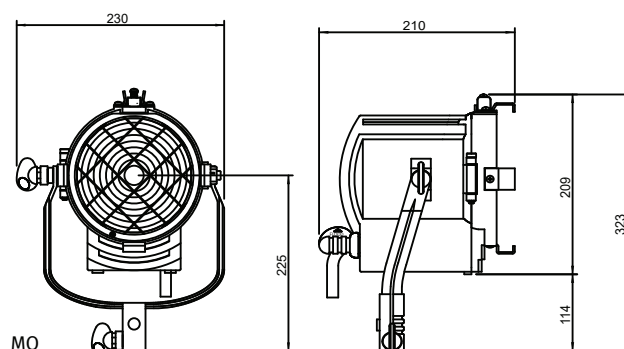
Finish	High-quality epoxy powder coating Special extra high-temperature treatment in critical areas External textured low gloss finish
MO mounting	Manual U-shaped stirrup with 16 mm (5/8") socket
PO mounting	Pole operated U-shaped stirrup, pan & tilt clutch gear mechanism for manual override, 28 mm (1 1/8") spigot

#### Electrical

MO Version	On/Off in-line switch 8A / 250V, 4m bare ended cable, 3x1.5 mm <sup>2</sup> section cable Plugs and cables upon request
PO version	On/Off head mounted toggle switch 8A / 250V, 2m bare ended cable, 3x1.5 mm <sup>2</sup> section cable Plugs and cables upon request

#### Dimension

Weight (head stirrup)	4.0 kg manual version 5.3 kg pole op. version
Packed volume	330 mm x 230mm x 550 mm



Technical specifications and data are provided for guidance only. Due to improvement in technology and/or in products, all product, specs and data are subject to change without notice. COSMOLIGHT accepts no liability for any errors, inaccuracies or incompleteness contained herein.

©2018, COSMOLIGHT. All rights reserved.  
Quartzcolor is a Cosmolight brand  
COSMOLIGHT SRL - ITALY  
quartzcolor.com

# BAMBINO 650W/500W

Bambino 650W/500W

## TUNGSTEN FRESNEL

### Specifications

#### Photometrics Data

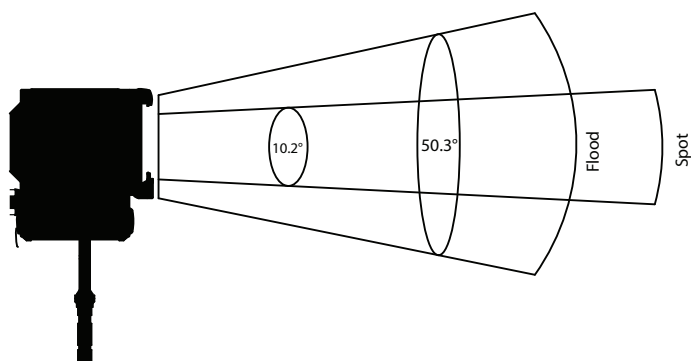
##### Spot (10.2°)

Throw (m)	1	3	5	10
Lux	70,200	7,800	2,808	702
Beam $\phi$ (m)	0.18	0.53	0.9	1.8

##### Flood (50.3°)

Throw (m)	1	3	5	10
Lux	12,100	1,344	484	121
Beam $\phi$ (m)	0.9	2.8	4.7	9.4

Typical performance based on CP89



#### Lamp Data

Lamp code	CP89 650W 240V
Base	GY9.5
Lumens	17,000 13,500
Correlated colour temperature	3200K

#### Ordering Codes

27630 - Bambino Fresnel 650W/500W MO 120/240V supplied with manual stirrup, colour frame, four-leaf rotating barndoor

27631 - Bambino Fresnel 650W/500W PO 120/240V supplied with pole operated stirrup, colour frame, four-leaf rotating barndoor

Technical specifications and data are provided for guidance only. Due to improvement in technology and/or in products, all product, specs and data are subject to change without notice. COSMOLIGHT accepts no liability for any errors, inaccuracies or incompleteness contained herein.

**QUARTZCOLOR**

©2018, COSMOLIGHT. All rights reserved.  
Quartzcolor is a Cosmolight brand  
COSMOLIGHT SRL - ITALY  
quartzcolor.com