

FF3605



Pipe clamp



material: steel



finish: white zinc plated

Hardware for installation included.

(4 sets of M8x60 bolts, nuts and washers)

Pipe clamp with hardware to mount pipes to brackets.



weight: 0,360 kg
0,794 lb



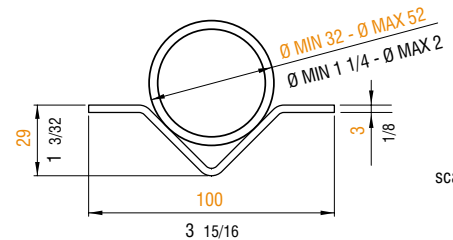
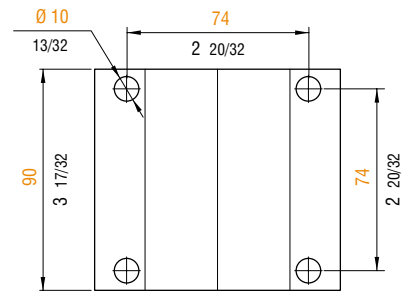
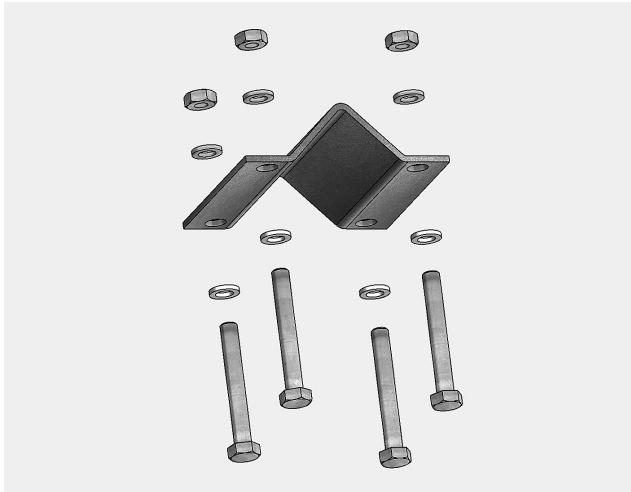
volume: 0,0008 cu m
0,0283 cu ft



max. load: 250 kg
551 lb

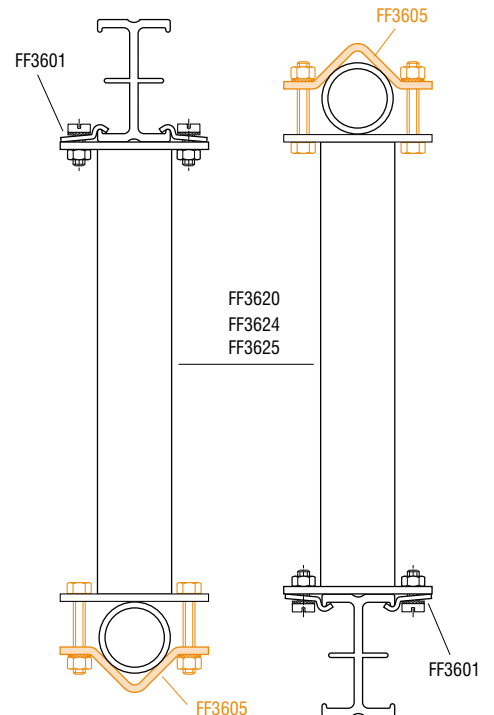
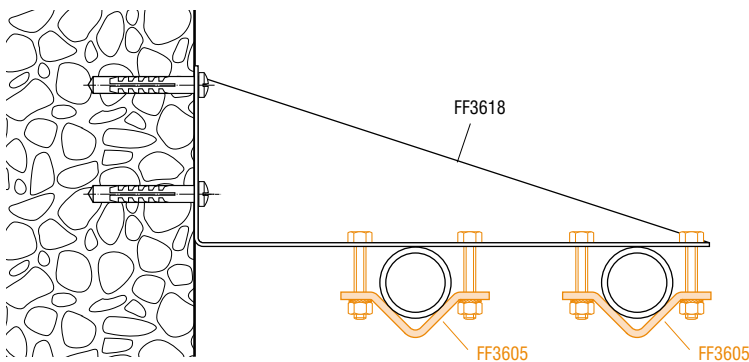
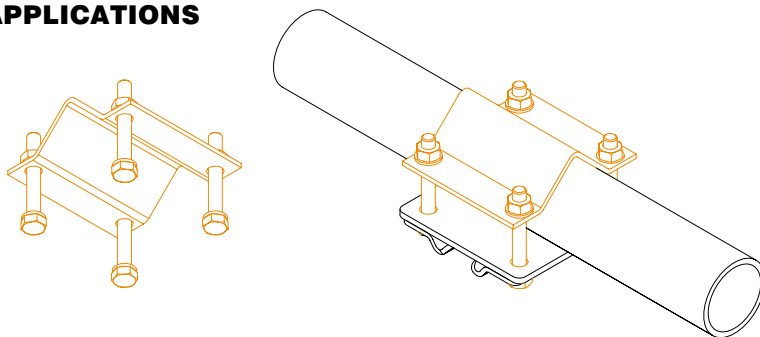


weight: 0,360 kg
0,794 lb



scale 1:3

APPLICATIONS



Metric measurements should be taken as reference. Imperial values have been calculated from metric and rounded to nearest 1/32 inch. **IMPORTANT:** installation must be carried out by qualified personnel and in accordance with the safety regulations of the country/region of installation.