

# BAMBINO 5kW

Bambino 5kW

## TUNGSTEN FRESNEL

### Technical features

#### Operational Data

Power consumption	5000 W
Supply voltage	120 - 240 V
Tilt adjustment	Pivot located at centre of gravity for excellent balance and positive locking
Tilt recommended angle of use	-90° / 0° / 90°
Focus Adjustment	Manual rear focus knob and direct adjustment drive focus mechanism (MO)  Side mounted pole operated focus mechanism
Accessory Fitting	Spring loaded top hinged bracket  Lower accessory support bracket fitted with barndoor safety catch (extra safety)
Barndoor diameter	323 mm
Colour frame/ scrim diameter	325 mm
Filter cut size diameter	320 mm
Lamp holder	G38
Safety mesh	Stainless steel safety mesh 25x25 mm
IP rating	IP 20
Max operating ambient temperature	45°

#### Optical Data

Lens	Fresnel 250 mm Ø, low expansion borosilicate Fresnel lens on spring Teflon support
Reflector	Spherical specular reflector in bimetallic aluminium (99.99/99.95 %) with special anodised coating for high-efficiency finish
Beam Angle	14.5° to 60.3°

#### Mechanical Data

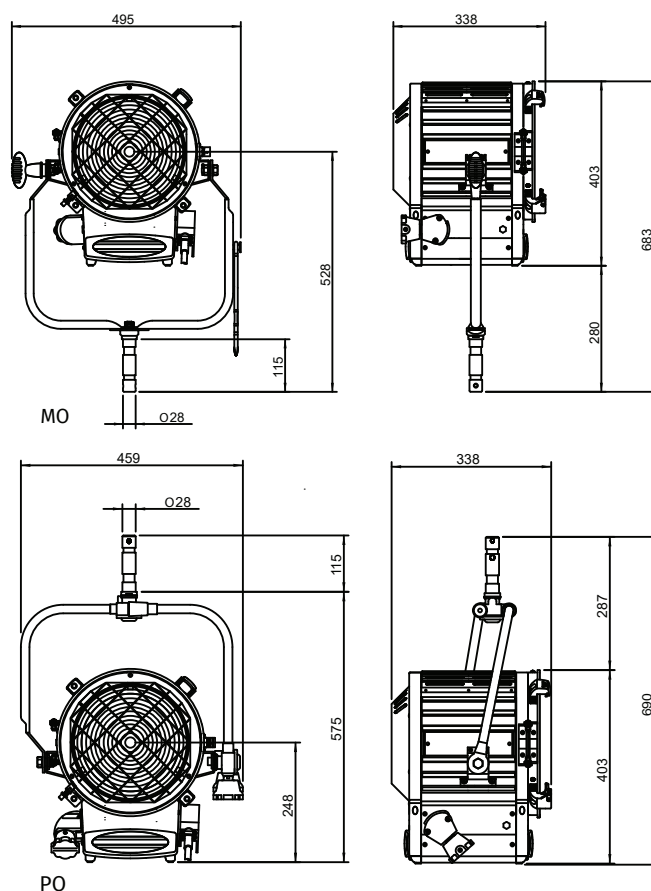
Finish	High-quality epoxy powder coating Special extra high-temperature treatment in critical areas External textured low gloss finish
MO mounting	Manual U-shaped stirrup with lateral thrust bearing and lock off knob for quick and secure locking, 28 mm (1 1/8") spigot
PO mounting	Pole op. U-shaped stirrup, pan & tilt clutch gear mechanism for manual override, 28 mm (1 1/8") spigot

#### Electrical

MO version	On/Off head mounted toggle switch 25A / 250V, 5m bare ended cable, 3x4 mm <sup>2</sup> section cable Plugs and cables upon request
PO version	On/Off head mounted toggle switch 25A / 250V, 5m bare ended cable, 3x4 mm <sup>2</sup> section cable Plugs and cables upon request

#### Dimension

Weight (head stirrup)	16.0 kg manual version 19.0 kg pole op. version
Packed volume	585 mm x 485mm x 590 mm



Technical specifications and data are provided for guidance only. Due to improvement in technology and/or in products, all product, specs and data are subject to change without notice. COSMOLIGHT accepts no liability for any errors, inaccuracies or incompleteness contained herein.

©2018, COSMOLIGHT. All rights reserved.  
Quartzcolor is a Cosmolight brand  
COSMOLIGHT SRL - ITALY  
quartzcolor.com

## TUNGSTEN FRESNEL

### Specifications

#### Photometrics

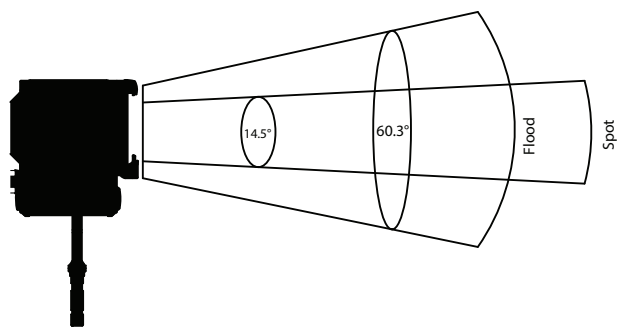
##### Spott (14.5°)

Throw (m)	5	10	15	20
Lux	15,120	3,780	1,680	950
Beam $\phi$ (m)	1.3	2.5	3.8	5

##### Flood (60.3°)

Throw (m)	5	10	15	20
Lux	3,888	972	432	243
Beam $\phi$ (m)	5.8	11.6	17.4	23.2

Typical performance based on CP29 5000W



#### Lamp Data

Lamp code	CP29 5000W 240V
Base	G38
Lumens	135,000
Correlated colour temperature	3200K

#### Ordering Codes

**27660** - Bambino Fresnel 5kW MO Mk2 120/240V supplied with manual stirrup, colour frame, four-leaf rotating barndoor

**27662** - Bambino Fresnel 5kW PO Mk2 120/240V supplied with pole operated stirrup, colour frame, four-leaf rotating barndoor

Technical specifications and data are provided for guidance only. Due to improvement in technology and/or in products, all product, specs and data are subject to change without notice. COSMOLIGHT accepts no liability for any errors, inaccuracies or incompleteness contained herein.