

FF3618



Wall bracket for 2 rails

Wall bracket for 2 parallel rails.
Clamps FF3601 not included and have to be ordered separately.
Hardware to install bracket to the wall is not included.
Maximum load depends on mounting conditions.



material: steel



finish: grey powder coating with "orange peel" finish RAL 7016



weight: 2,181 kg
4,807 lb



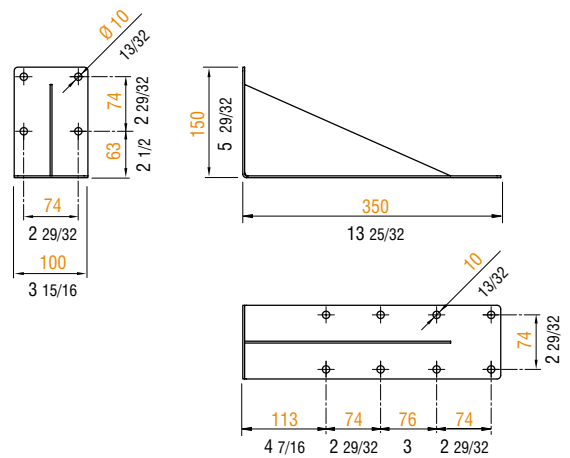
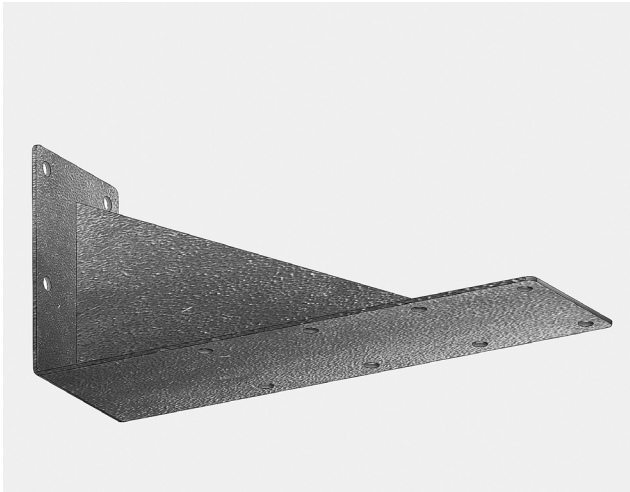
volume: 0,008 cu m
0,283 cu ft



max. load: 200 kg
441 lb

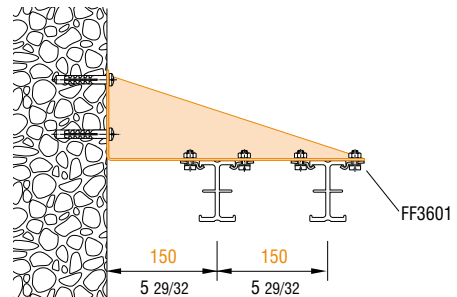
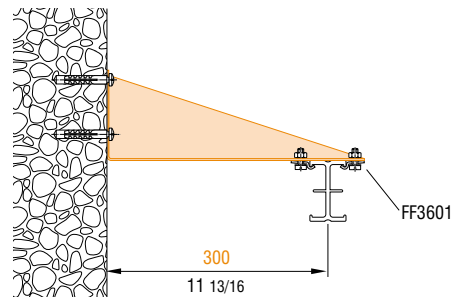
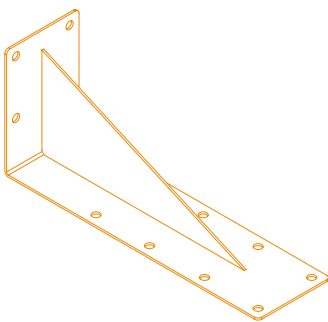


weight: 1,350 kg
2,974 lb



scale 1:10

APPLICATIONS



Metric measurements should be taken as reference. Imperial values have been calculated from metric and rounded to nearest 1/32 inch. **IMPORTANT:** installation must be carried out by qualified personnel and in accordance with the safety regulations of the country/region of installation.