



QUARTZCOLOR

QUARTZCOLOR is a COSMOLIGHT BRAND

TECHNICAL DATA

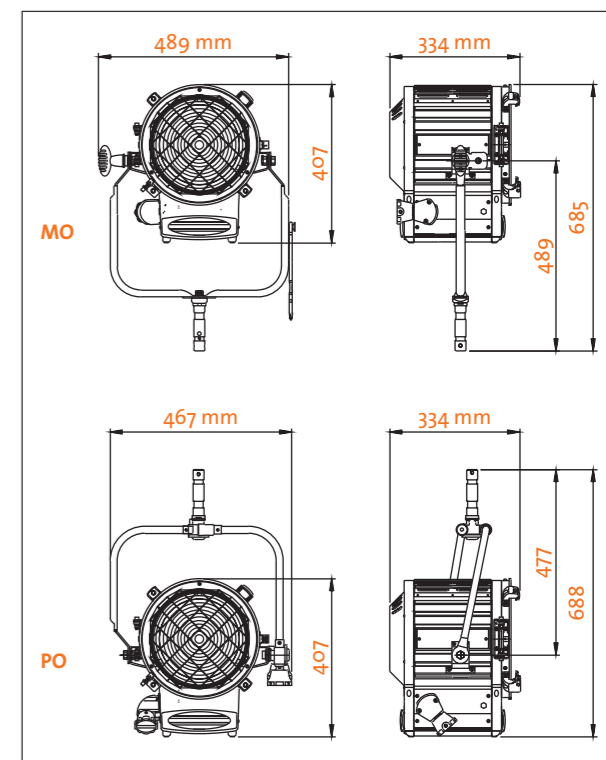
LIGHT SOURCE	Array LEDs
MAX POWER	180W
CORRELATED COLOR TEMPERATURE	Fixed 3200K–5600K
CRI	>90
BEAM ANGLE	16°–71° (3200 K) / 15°–72° (5600 K)
LENS DIAMETER	250 mm
POWER SUPPLY	90–260 Vac, 50/60 Hz, autosensing
POWER FACTOR (cosφ)	0,97
WATERPROOF RATING	IP20
OPERATIONAL TEMPERATURE (Ta)	0°–40°
DIMMING	Electronic 16 bit, fully 0–100%
CONTROL	Local via potentiometer and remote via DMX-RDM Setting, addressing and testing via control panel, via RDM and via USB port
CONNECTIONS	DMX In and Through 5-Pin XLR, USB port for firmware and software upgrade
FEATURES	Internal temperature sensor, LCD graphic display with switch off function, silent fan, 3 presetting fan speed
MOUNTING	Manual and Pole Operated stirrup

OPERATIONAL DATA

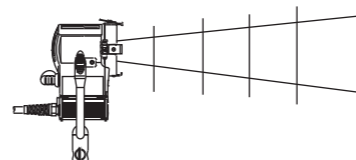
	STUDIO LED X5 MO	STUDIO LED X5 PO
Weight (head)	12,650 Kg	13,600 Kg
Barndoor weight	1,500 Kg	1,500 Kg
Gel frame weight	0,300 Kg	0,300 Kg
Lens diameter	250 mm	250 mm
Barndoor diameter	323 mm	323 mm
Accessory base diameter	325 mm	325 mm

ORDERING CODES

LD27262T	STUDIO LED X5 180W CCT TUNGSTEN PO
LD27262D	STUDIO LED X5 180W CCT DAYLIGHT PO
LD27260T	STUDIO LED X5 180W CCT TUNGSTEN MO
LD27260D	STUDIO LED X5 180W CCT DAYLIGHT MO



PHOTOMETRIC DATA



Typical performance based on 3200K

Distance (m)	3	4	5	7	9
SPOT 16°	6360	3578	2290	1168	707
FLOOD 71°	1150	647	414	211	128

Typical performance based on 5600K

Distance (m)	3	4	5	7	9
SPOT 15°	7320	4118	2635	1344	813
FLOOD 72°	1310	737	472	241	146