

C339UH



60

80

80
100

Grab clamp with universal head

Provided with 1 1/8" and 5/8" female and 5/8" male attachment.
Head not rotating.

material: body: steel
part: aluminium

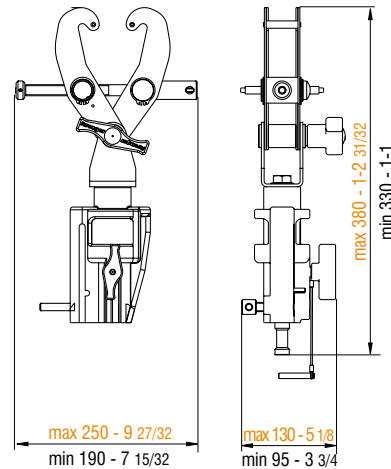
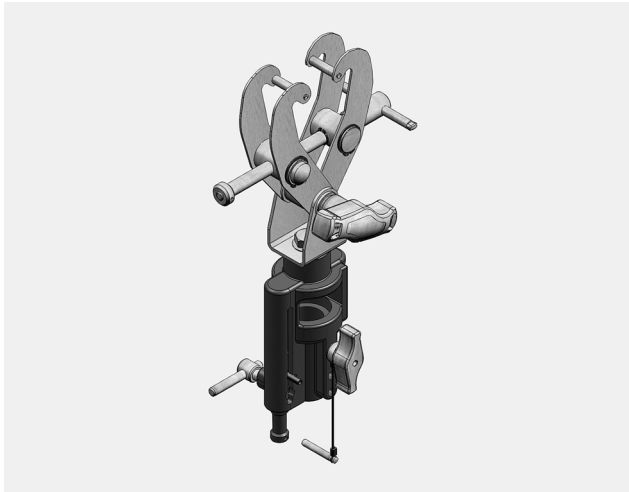
finish: body: tropicalized
part: black powder smooth RAL 9005

weight: 1,95 kg
4,30 lb

volume: 0,009 cu m
0,246 cu ft

max. load: 75 kg
165 lb

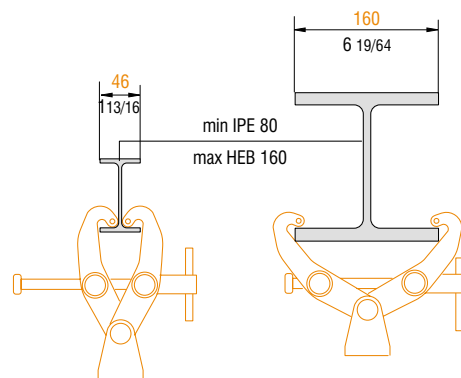
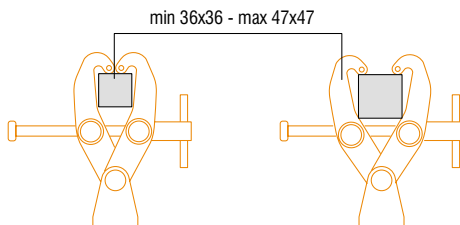
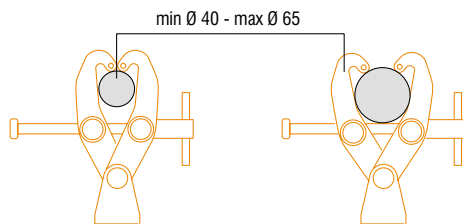
weight: 2,43 kg
5,35 lb



scale 1:7,5

11

APPLICATIONS



Metric measurements should be taken as reference. Imperial values have been calculated from metric and rounded to nearest 1/32 inch.
IMPORTANT: installation must be carried out by qualified personnel and in accordance with the safety regulations of the country/region of installation.