

### Technical features

#### Operational Data

Power consumption	2000 W
Supply voltage	120 - 240 V
Tilt adjustment	Pivot located at centre of gravity for excellent balance and positive locking
Tilt recommended angle of use	-90° / 0° / 90°
Focus Adjustment	Stainless steel, maintenance-free wire focus mechanism with a wire and pulley push/pull carriage travel system
	Side mounted pole operated focus mechanism
Accessory Fitting	Spring loaded top hinged bracket
	Lower accessory support bracket fitted with barndoor safety catch (extra safety)
Barndoor diameter	270 mm
Colour frame/ scrim diameter	260 mm
Filter cut size diameter	255 mm
Lamp holder	G38
Safety mesh	Stainless steel safety mesh 25x25 mm
IP rating	IP 20
Max operating ambient temperature	45°

#### Optical Data

Lens	Fresnel 175 mm Ø, low expansion borosilicate Fresnel lens on spring Teflon support
Reflector	Spherical specular reflector in bimetallic aluminium (99.99/99.95 %) with special anodised coating for high-efficiency finish
Beam Angle	12.3° to 60.7°

#### Mechanical Data

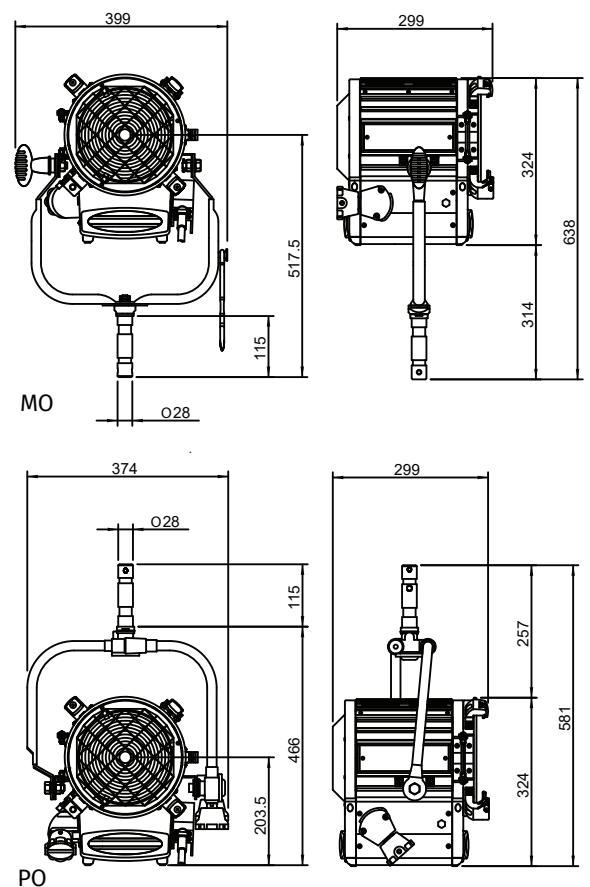
Finish	High-quality epoxy powder coating Special extra high-temperature treatment in critical areas External textured low gloss finish
MO mounting	Manual U-shaped stirrup with lateral thrust bearing and lock off knob for quick and secure locking, 28 mm (1 1/8") spigot
PO mounting	Pole op. U-shaped stirrup, pan & tilt clutch gear mechanism for manual override, 28 mm (1 1/8") spigot

#### Electrical

MO version	On/Off head mounted toggle switch 10A / 250V, 5m bare ended cable, 3x2.5 mm <sup>2</sup> section cable Plugs and cables upon request
PO version	On/Off head mounted toggle switch 10A / 250V, 5m bare ended cable, 3x2.5 mm <sup>2</sup> section cable Plugs and cables upon request

#### Dimension

Weight (head stirrup)	8.3 kg manual version 8.9 kg pole op. version
Packed volume	520 mm x 420 mm x 525 mm



Technical specifications and data are provided for guidance only. Due to improvement in technology and/or in products, all product, specs and data are subject to change without notice. COSMOLIGHT accepts no liability for any errors, inaccuracies or incompleteness contained herein.

©2018, COSMOLIGHT. All rights reserved.  
Quartzcolor is a Cosmolight brand  
COSMOLIGHT SRL - ITALY  
quartzcolor.com

## TUNGSTEN FRESNEL

### Specifications

#### Photometrics

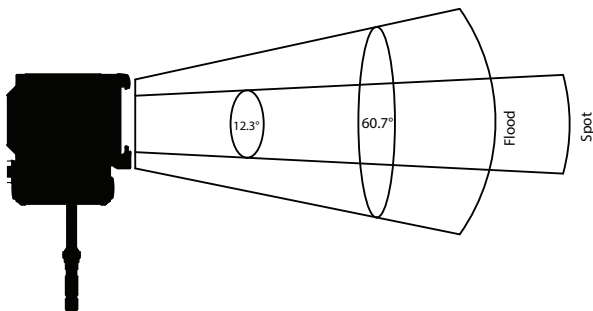
##### Spott (12.3°)

Throw (m)	3	5	10	15
Lux	26,777	9,640	2,410	1071
Beam $\emptyset$ (m)	0.6	1	2.1	3.2

##### Flood (60.7°)

Throw (m)	3	5	10	15
Lux	4,222	1,520	380	169
Beam $\emptyset$ (m)	3.5	5.8	11.7	17.6

Typical performance based on CP41 2000W



#### Lamp Data

Lamp code	CP41/CP73 2000W 240V
Base	G38
Lumens	54,000
Correlated colour temperature	3200K

#### Ordering Codes

27650 - Bambino Fresnel 2kW MO Mk2 120/240V supplied with manual stirrup, colour frame, four-leaf rotating barndoor

27652 - Bambino Fresnel 2kW PO Mk2 120/240V supplied with pole operated stirrup, colour frame, four-leaf rotating barndoor

Technical specifications and data are provided for guidance only. Due to improvement in technology and/or in products, all product, specs and data are subject to change without notice. COSMOLIGHT accepts no liability for any errors, inaccuracies or incompleteness contained herein.