

FF3709D



Detachable carriage with universal head

Carriage for pipes. Spring-loaded brake pad holds carriage in position. To release the brake pull down on wire with operating pole. Universal head with 1-1/8" and 5/8" female and 5/8" male attachment.



material main body: steel
part: blue plastic



finish: grey powder coating with orange peel finish RAL 7016



weight: 2,150 kg
4,739 lb



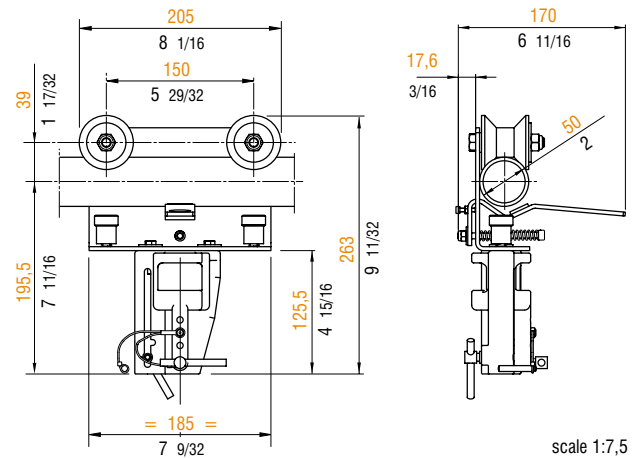
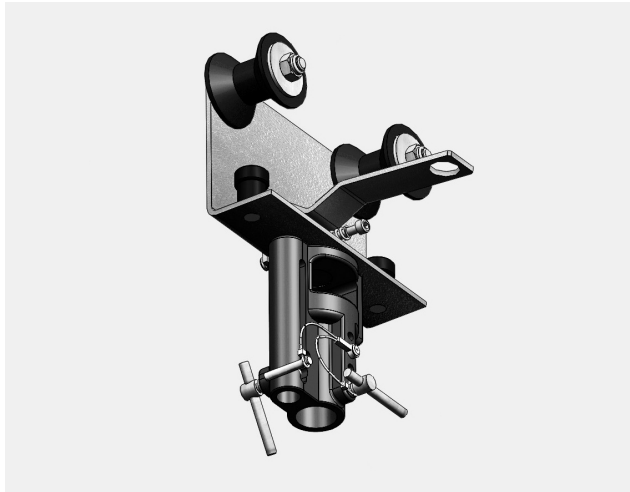
volume: 0,0120 cu m
0,4240 cu ft



max. load: 90 kg
198 lb

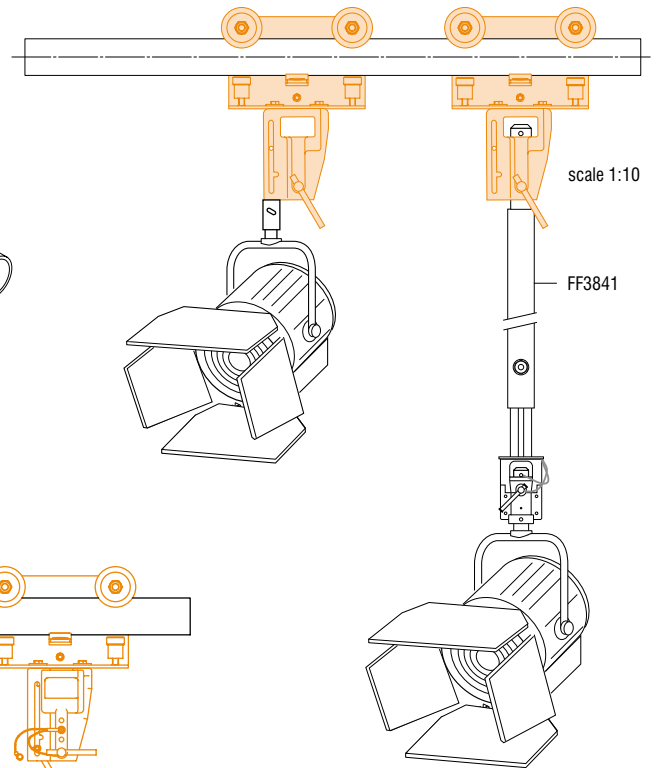
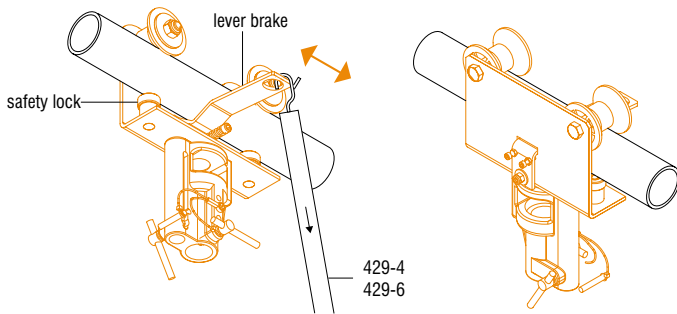


weight: 2,205 kg
4,857 lb

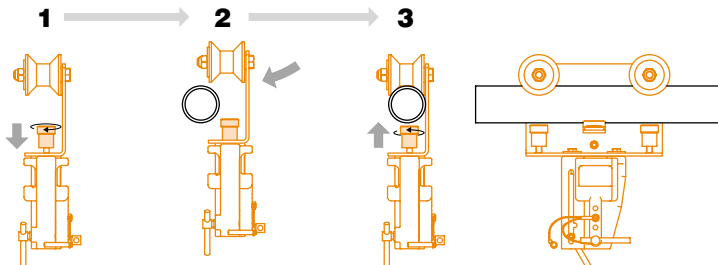


5

APPLICATIONS



ASSEMBLY SEQUENCE



Metric measurements should be taken as reference. Imperial values have been calculated from metric and rounded to nearest 1/32 inch. **IMPORTANT:** installation must be carried out by qualified personnel and in accordance with the safety regulations of the country/region of installation.