

BAMBINO 500W/300W

Bambino 500W/300W

TUNGSTEN FRESNEL

Technical features

Operational Data

Power consumption	500 W
Supply voltage	120 - 240 V
Tilt adjustment	Pivot located at centre of gravity for excellent balance and positive locking
Tilt recommended angle of use	-90° / 0° / 90°
Focus Adjustment	Manual rear focus knob and direct adjustment drive focus mechanism (MO)
Accessory Fitting	Steel accessory support brackets with manual pull and twist spring loaded top bracket, designed for very quick one hand opening/closing and easy accessory fitting and removal
Barndoor diameter	110 mm
Colour frame/ scrim diameter	110 mm
Filter cut size diameter	105 mm
Lamp holder	GY9.5
Safety mesh	Stainless steel safety mesh 25x25 mm
IP rating	IP 20
Max operating ambient temperature	45°

Optical Data

Lens	Fresnel 90 mm Ø, low expansion borosilicate Fresnel lens on spring Teflon
Reflector	Spherical specular reflector in bimetallic aluminium (99.99/99.95 %) with special anodised coating for high-efficiency finish
Beam Angle	14.2° to 45.3°

Mechanical Data

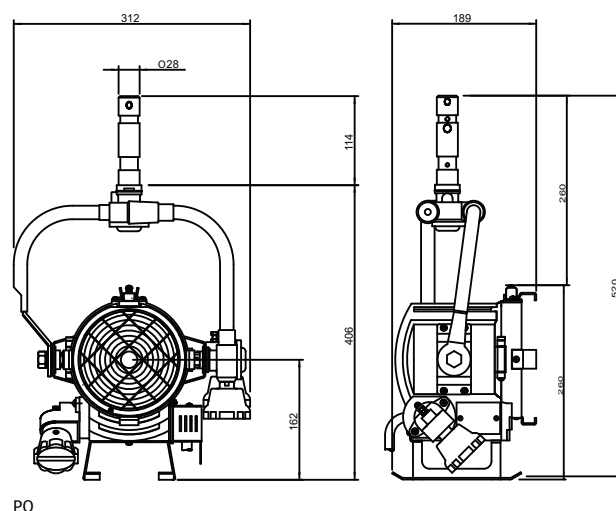
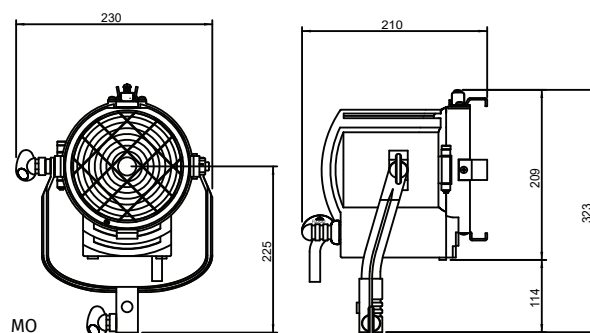
Finish	High-quality epoxy powder coating Special extra high-temperature treatment in critical areas External textured low gloss finish
MO mounting	Manual U-shaped stirrup with 16 mm (5/8") socket

Electrical

Cabling	On/Off in-line switch 8A / 250V, 4m bare ended cable, 3x1.5 mm ² section cable Plugs and cables upon request
---------	--

Dimension

Weight (head stirrup)	2.0 kg manual version
Packed volume	330 mm x 230mm x 550 mm



Technical specifications and data are provided for guidance only. Due to improvement in technology and/or in products, all product, specs and data are subject to change without notice. COSMOLIGHT accepts no liability for any errors, inaccuracies or incompleteness contained herein.

©2018, COSMOLIGHT. All rights reserved.
Quartzcolor is a Cosmolight brand
COSMOLIGHT SRL - ITALY
quartzcolor.com

BAMBINO 500W/300W

Bambino 500W/300W

TUNGSTEN FRESNEL

Specifications

Photometrics

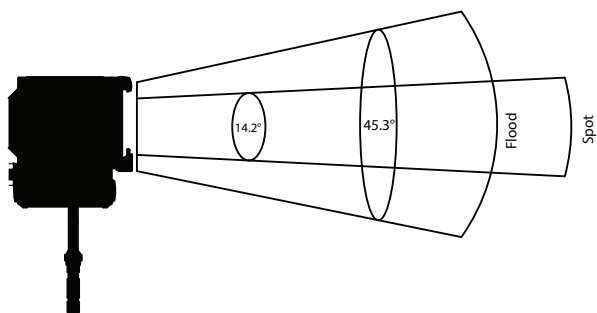
Spot (14.2°)

Throw (m)	1	3	5	10
Lux	31,000	3,440	1,240	310
Beam ϕ (m)	0.25	0.75	1.25	2.5

Flood (45.3°)

Throw (m)	1	3	5	10
Lux	11,000	1,220	440	110
Beam ϕ (m)	0.83	2.5	4.2	8.3

Typical performance based on CP82 500W



Lamp Data

Lamp code	CP82 500W 240V CP81 300W 240V
Base	GY9.5
Lumens	13,500 6,800
Correlated colour temperature	3200K

Ordering Code

27620 - Bambino Fresnel 500W/300W MO 120/240V supplied with manual stirrup, colour frame, four-leaf rotating barndoor

Technical specifications and data are provided for guidance only. Due to improvement in technology and/or in products, all product, specs and data are subject to change without notice. COSMOLIGHT accepts no liability for any errors, inaccuracies or incompleteness contained herein.

QUARTZCOLOR

©2018, COSMOLIGHT. All rights reserved.
Quartzcolor is a Cosmolight brand
COSMOLIGHT SRL - ITALY
quartzcolor.com