

**FF3714**



Bracket with clamps for pipes crossing

Double clamp to connect 2 pipes parallel or in a right angle.



material: steel



finish: grey powder coating with orange peel finish RAL 7016



weight: 0,912 kg  
2,010 lb



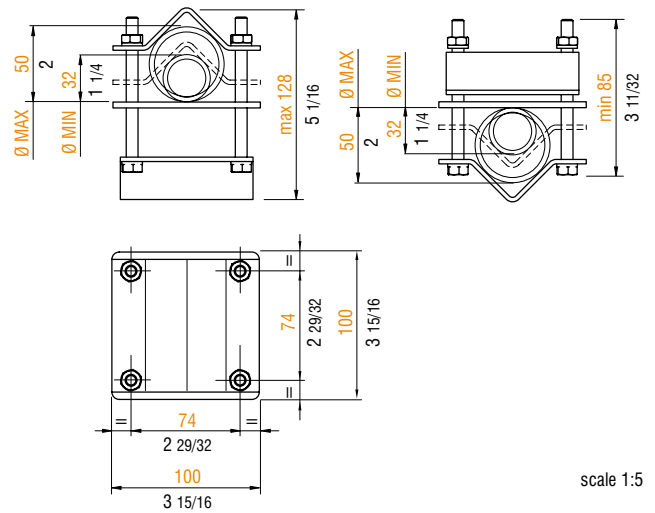
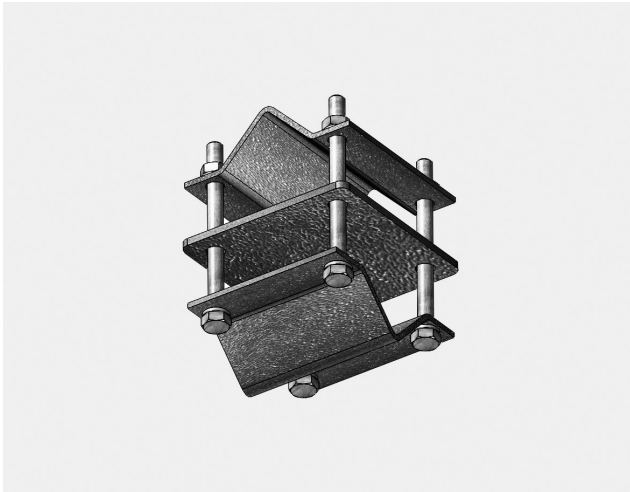
volume: 0,0020 cu m  
0,0707 cu ft



max. load: 250 kg  
551 lb



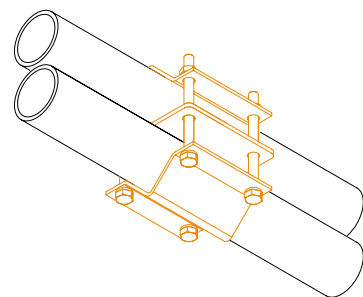
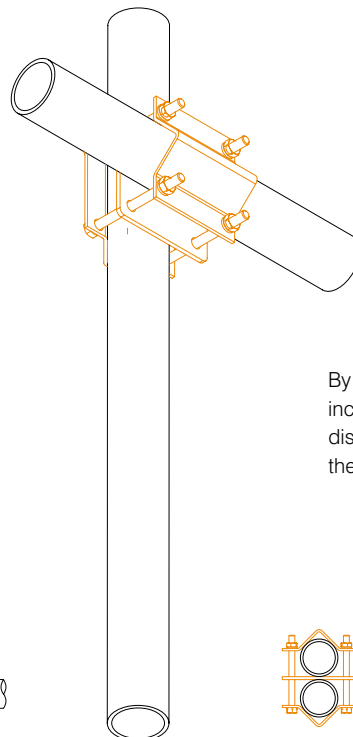
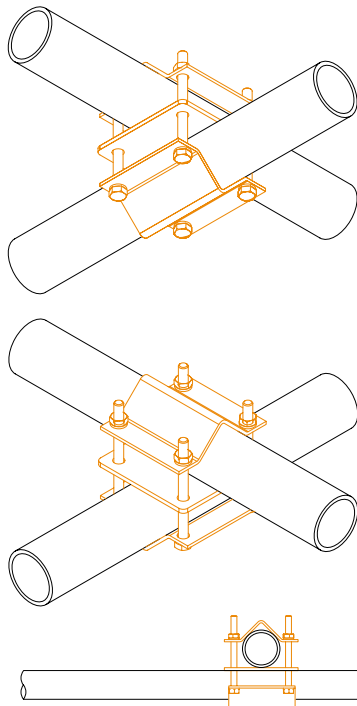
weight: 0,920 kg  
2,026 lb



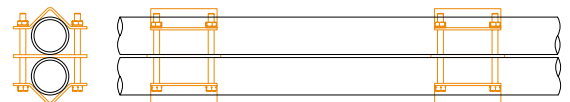
4


scale 1:5

**APPLICATIONS**



By stacking two pipes you can considerably increase the rigidity of the structure itself. The distance between the two clamps depends on the max load foreseen.



Metric measurements should be taken as reference. Imperial values have been calculated from metric and rounded to nearest 1/32 inch.  **IMPORTANT:** installation must be carried out by qualified personnel and in accordance with the safety regulations of the country/region of installation.